

CABLO SERVICE

CE  IP 65

Waterproof remote control gear box Class I for lamp up to 2000W

Die cast aluminium alloy body.

Cover made by printed aluminium sheet.

Extractable plate made by steel coated with passivated zinc, for clamp of the complete control gear only for 1000 W.

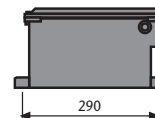
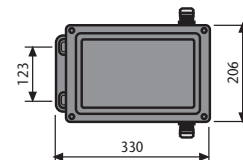
Control gear box: 230V - 50Hz, for 1000W lamps
400V - 50 Hz for 2000W lamps.

Anti-ageing gasket in silicon rubber.

Line entry hole with cable-joint PG 16 and clamp 6 mm².
Going out hole cutted screw with cable-joint PG 16 and clamp 6 mm².

Body and cover are coated with polyester powders in black and silver colour.

Dimensions (mm)



Available colours



BLACK



SILVER



CABLO SERVICE

CE IP 66

Waterproof remote control gear box Class II for 1000W and 2000W metal halide lamp

Body and cover in special thermoplastic material, high thermal resistant and high resistant to air pollution.

Line entry hole with cable gland PG 13.5.

Output lamp hole with cable gland PG 13.5.

The gear box is complete with ballast and capacitor.

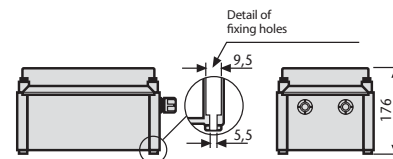
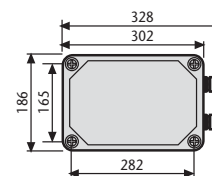
Power supply 230V 50Hz for 1000W lamps 400V 50Hz for 2000W lamps.

Suitable for 1000W and 2000W luminaires in Class II.

Nylon screw terminal clamps 4 mm².

The mounting distances between the gear box and the body can be up to 50/70 meters, as the ignitor is fitted inside the rear housing of the luminaire.

Dimensions (mm)



CABLO SERVICE

CL I

CODE	DESCRIPTION	LAMP TYPE	GROSS WEIGHT (kg)	PACKING (pcs.)	PALLET (pcs.)	CBMS
60306 ●	CR	M (JM) 1000W Philips type - Black colour	11,02	1	-	0,0151
60406 ●	CR	M (JM) 1000W Philips type - Silver colour	11,02	1	-	0,0151
60304 ▼	CR	M (JM) 1000W Osram type - Black colour S (SAP) 1000W	14,50	1	-	0,0151
60404 ▼	CR	M (JM) 1000W Osram type - Silver colour S (SAP) 1000W	14,50	1	-	0,0151
60309 ■	CR	M (JM) 1000W Osram type - Black colour S (SAP) 1000W 9,3A MASTER MHN-LA 1000W 230V/842 Philips type 9,3A MASTER MHN-LA 1000W 230V/956 Philips type 9,5A HQI-TS 1000W/D/S Osram type 9,5A HQI-TS 1000W/NDL/S Osram type	14,90	1	-	0,0151
60409 ■	CR	M (JM) 1000W Osram type - Silver colour S (SAP) 1000W 9,3A MASTER MHN-LA 1000W 230V/842 Philips type 9,3A MASTER MHN-LA 1000W 230V/956 Philips type 9,5A HQI-TS 1000W/D/S Osram type 9,5A HQI-TS 1000W/NDL/S Osram type	14,90	1	-	0,0151
60303 ■	CR	M (JM) 2000W - Silver colour 11,3A MASTER MHN-SA 2000W 400V/856 Philips type 11,3A MASTER MHN-SA 2000W 400V/956 Philips type 10,3A MASTER MHN-LA 2000W 400V/956 Philips type 10,3A MASTER MHN-LA 2000W 400V/842 Philips type 11,3A HQI-TS 2000W/D/S 400V Osram type 10,7A HQI-TS 2000W/N/L 400V Osram type 10,3A HQI-T 2000W/D/I 400V E40 Osram type	20,50	1	-	0,0151
60323 ■	CR	M (JM) 2000W - Silver colour 8,8A - HQI - T 2000W/N 400V Osram type 2000W/N/E/SUPER ask for ignitor cod. 07130 separately 8,6A - HPI - T 2000W 400V Philips type ask for ignitor cod. 05146 separately	20,20	1	-	0,0151
60324 ▲	CR	M (JM) 2000W - Silver colour 8,6A - HPI - T 2000W 400V Philips type	20,50	1	-	0,0151

CL II

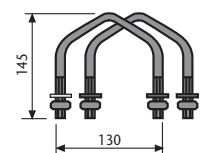
CODE	DESCRIPTION	LAMP TYPE	GROSS WEIGHT (kg)	PACKING (pcs.)	PALLET (pcs.)	CBMS
60395 ■	CR	M (JM) 1000W 9,3A MASTER MHN-LA 1000W 230V/842 Philips type 9,3A MASTER MHN-LA 1000W 230V/956 Philips type 9,5A HQI-TS 1000W/D/S Osram type 9,5A HQI-TS 1000W/NDL/S Osram type	13,00	1	-	0,0147
60382 ■	CR	M (JM) 2000W 11,3A MASTER MHN-SA 2000W 400V/856 Philips type 11,3A MASTER MHN-SA 2000W 400V/956 Philips type 10,3A MASTER MHN-LA 2000W 400V/956 Philips type 10,3A MASTER MHN-LA 2000W 400V/842 Philips type 11,3A HQI-TS 2000W/D/S 400V Osram type 10,7A HQI-TS 2000W/N/L 400V Osram type	21,20	1	-	0,0147

- With pulse ignitor (1,2 KV) - Max distance from floodlight m 35
- ▼ With super imposed ignitor max distance from floodlight m 1,5
- Without ignitor - The fitting needs ignitor Cod. 00878 for MH 1000W - Osram and for all HPS 1000W lamps
- ▲ With pulse ignitor (1,2 KV - 400V)

ACCESSORIES AND SPARE PARTS

CODE	DESCRIPTION	GROSS WEIGHT (kg)	PACKING (pcs.)	LAMP (TYPE)	CBMS
60214	Clamps for CABLO SERVICE CL I	0,40	1	-	0,0010
00878	4 KV ignitor	0,21	1	M 1000 Osram	-
04644	1,2 KV ignitor for 1000W Philips lamp	0,08	1	M 1000 Philips	-
05146	1,2 KV - 400V ignitor for 2000W Philips lamp	0,1	1	M 2000 Philips	-
60147*	Empty gear box - Black colour	3,56	1	-	0,0192
60447*	Empty gear box - Silver colour	3,56	1	-	0,0192
05145	Capacitor 60 µF 450V	0,250	1	-	-
05144	Capacitor 40 µF 450V	0,250	1	-	-

* For 1000W and for extra European countries only



60214
Clamps for pole fixing
70-100 Ø

POLE CABLE SERVICE

CE IP 55

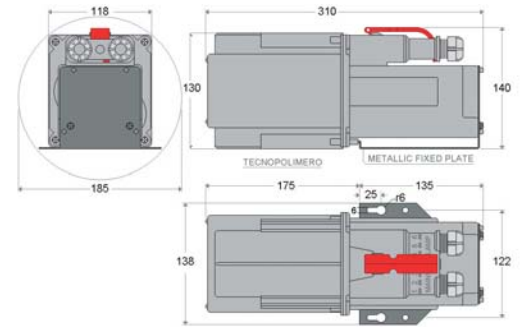
Waterproof pole cable service Class I

Waterproof gear box particularly compact for installation inside the poles.
Extruded aluminium body with headers in special thermoplastic material.

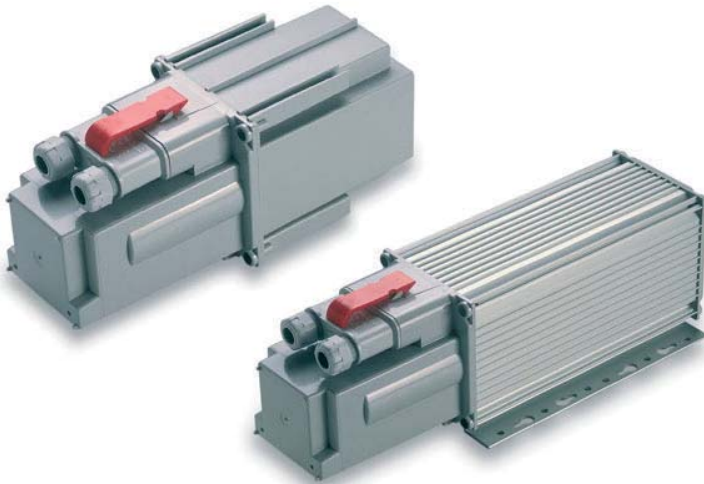
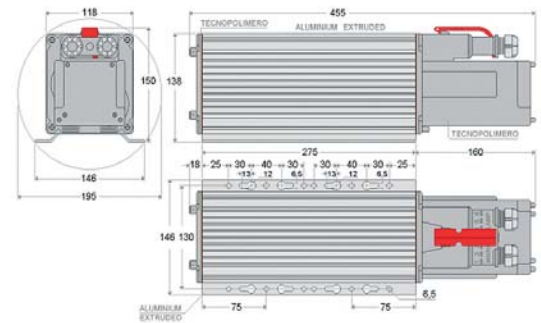
Inlet of the power supply line with cable gland PG 16.
Outlet to the lamp with cable gland PG 16.
Power supply 230V 50Hz, lamps for 1000W.
400V - 50 Hz, lamps for 2000W.

Dimensions (mm)

Cable Service 1000W



Cable Service 2000W



CL I

CODE	DESCRIPTION	LAMP TYPE	GROSS WEIGHT (kg)	PACKING (pcs.)	PALLET (pcs.)	CBMS
60391 ●	CR	M (JM) 1000W Philips type	9,6	1	-	0,007
60390 ■	CR	M (JM) 1000W Osram type S (SAP) 1000W	11,6	1	-	0,007
60386 ■	CR	M (JM) 2000W 11,3A MASTER MHN-SA 2000W 400V/856 Philips type 11,3A MASTER MHN-SA 2000W 400V/956 Philips type 10,3A MASTER MHN-LA 2000W 400V/956 Philips type 10,3A MASTER MHN-LA 2000W 400V/842 Philips type 11,3A HQI-TS 2000W/D/S 400V Osram type 10,7A HQI-TS 2000W/N/L 400V Osram type 10,3A HQI-T 2000W/D/I 400V E40 Osram type	16	1	-	0,12
60385 ■	CR	M (JM) 2000W 8,8A - HQI - T 2000W/N 400V Osram type 2000W/N/E/SUPER ask for ignitor cod. 07130 separately 8,6A - HPI - T 2000W 400V Philips type ask for ignitor cod. 05146 separately	16	1	-	0,12

- With pulse ignitor (1,2 KV) - Max distance from floodlight m 35
- Without ignitor - The fitting needs ignitor Cod. 00878 for MH 1000W - Osram and for all HPS 1000W lamps.