

PROIETTORI PER ESTERNI

Outdoor floodlights



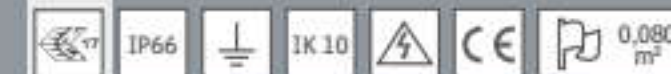
# STYLE



## STYLE SM · AS · CTS · SMT

m<sup>2</sup> 0,015  
 ↳ 370x245x170mm

1 Pcs  
 ↳ 80 pcs



Corpo e cornice: integrale in pressofusione di alluminio.  
 Verniciatura: polvere di poliestere termoindurente.  
 Vetro: serigrafato e temperato da 4 mm.  
 Versioni disponibili:  
**SM**, apertura ampia e simmetrica;  
**AS**, asimmetrica con vertice di asimmetria a 30°;  
**CTS**, concentrante con apertura del fascio 16°;  
**SMT**, simmetrica per lampade tubolari ed ellissoidali.  
 Alimentazione meccanica: 230V 50Hz.  
 Staffa di fissaggio: sagomata in acciaio da 2,3 mm.

Disponibile a richiesta:  
 • filtro anticondensa.

Housing and frame: die-cast aluminium.  
 Paintwork: thermosetting polyester.  
 Glass: silk-screened 4 mm tempered.  
 Available versions:  
**SM**, for wide and symmetric beam;  
**AS**, with asymmetry vertex at 30°;  
**CTS**, narrow beam 16° light;  
**SMT**, symmetric for ellipsoidal and tubular lamps.  
 Mechanical power supply: 230V 50Hz.  
 Bracket: 2.3 mm thick shaped steel.

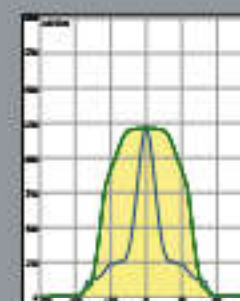
Available on request:  
 • vent filter.

**COLORI DISPONIBILI**  
 Available colours

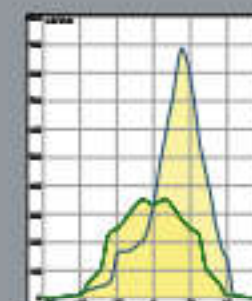
- 1 Bianco  
White
- 2 Nero RAL 9005  
RAL 9005 Black
- 3 Argento RAL 9006  
RAL 9006 Silver

Sostituire la 6<sup>a</sup> cifra del codice del prodotto per cambiare colore.  
 Replace the 6th figure of the product code to change colour.

	CODICE Code	CABLAGGIO Wiring	POTENZA Power(W)	PORTALAMPADA Lampholder	CORRENTE Current(A)	INVESCO Trigger(KV)	ESECUZIONE Execution	PESO NETTO Net weight(Kg)	SORGENTE Light source	COLORE Colour	ENEC
SM	200003.170	NC	70W - ALO MAX 500W	RX7s			NC	3,17			
	200003.115	NC	150W	RX7s			NC	3,18			
	200123.170	HPS-TS/MH-TS	70W	RX7s	1,00	4,50	CNR	4,46			
	200123.115	HPS-TS/MH-TS	150W	RX7s	1,80	4,50	CNR	5,25			
	200133.170	HPS-TS	70W	RX7s	1,00	4,50	CNRL	4,49			
	200133.115	HPS-TS	150W	RX7s	1,80	4,50	CNRL	5,29			
AS	200233.170	MH-TS	70W	RX7s	1,00	4,50	CNRL	4,49			
	200233.115	MH-TS	150W	RX7s	1,80	4,50	CNRL	5,29			
	202003.170	NC	70W - ALO MAX 500W	RX7s			NC	3,18			
	202003.115	NC	150W	RX7s			NC	3,19			
	202123.170	HPS-TS/MH-TS	70W	RX7s	1,00	4,50	CNR	4,50			
	202123.115	HPS-TS/MH-TS	150W	RX7s	1,80	4,50	CNR	5,23			
CTS	202133.170	HPS-TS	70W	RX7s	1,00	4,50	CNRL	4,53			
	202133.115	HPS-TS	150W	RX7s	1,80	4,50	CNRL	5,27			
	202233.170	MH-TS	70W	RX7s	1,00	4,50	CNRL	4,53			
	202233.115	MH-TS	150W	RX7s	1,80	4,50	CNRL	5,27			
	204003.170	NC	70W - ALO MAX 500W	RX7s			NC	3,22			
	204003.115	NC	150W	RX7s			NC	3,25			
SMT	204123.170	HPS-TS/MH-TS	70W	RX7s	1,00	4,50	CNR	4,52			
	204123.115	HPS-TS/MH-TS	150W	RX7s	1,80	4,50	CNR	5,21			
	204133.170	HPS-TS	70W	RX7s	1,00	4,50	CNRL	4,55			
	204133.115	HPS-TS	150W	RX7s	1,80	4,50	CNRL	5,25			
	204233.170	MH-TS	70W	RX7s	1,00	4,50	CNRL	4,55			
	204233.115	MH-TS	150W	RX7s	1,80	4,50	CNRL	5,25			
SMT	206003.103	NC		G12			NC	3,20			
	206123.170	MH-T	70W	G12	1,00	4,50	CNR	4,45			
	206123.115	MH-T	150W	G12	1,80	4,50	CNR	5,15			
	206233.170	MH-T	70W	G12	1,00	4,50	CNRL	4,49			
	206233.115	MH-T	150W	G12	1,80	4,50	CNRL	5,20			
	208003.102	NC		E27			NC	3,24			
	208123.170	HPS-T/MH-E	70W	E27	1,00	4,50	CNR	4,51			
	208123.115	MH-E	150W	E27	1,80	4,50	CNR	5,20			
SMT	208133.170	HPS-T	70W	E27	1,00	4,50	CNRL	4,60			
	208233.170	MH-E	70W	E27	1,00	4,50	CNRL	4,60			
SMT	208233.115	MH-E	150W	E27	1,80	4,50	CNRL	5,30			



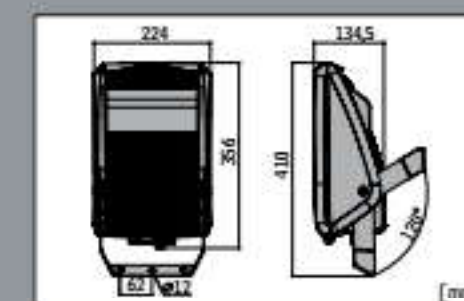
SM MH-TS 70W Rx7s



AS MH-TS 150W Rx7s



Retro | Back



Simbologia Simbology ..... pag. 12  
 Accessori Accessories ..... pag. 22